



ITT

JETS HydroAir

Micro Jet™ / Thera'ssage Jet Assemblies

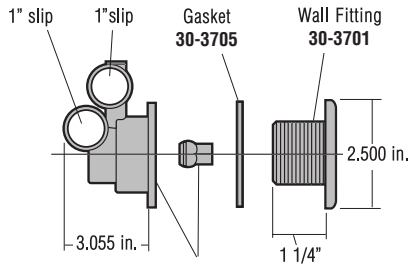
SPECIFICATIONS:

Output : 10 GPM, 12 psi, 5/16" nozzle

Hole Size: Use 1 11/16" Hole Saw

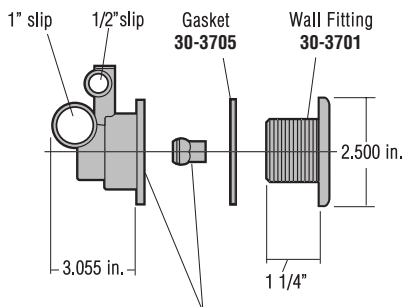
Options: Metal Escutcheon Assy - 10-3755M
Wrench 10-7825M

Micro Jet™ Stacked Jet Assemblies



50-4200 Stacked Jet Body with Long Nozzle

10-5220 1" x 1" Stacked Jet Assembly
(less Therapy option) includes: Stacked Jet Body, Nozzle, Gasket and 30-3701 Wall Fitting



50-5603 Stacked Jet Body with Long Nozzle

SPECIFICATIONS:

Output : 13 GPM, 12 psi, 3 m³/h @ 7m H₂O

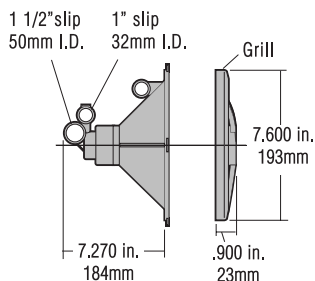
Hole Size: 5 7/8"

Socket Size: 1 1/2" slip water, 1" slip air

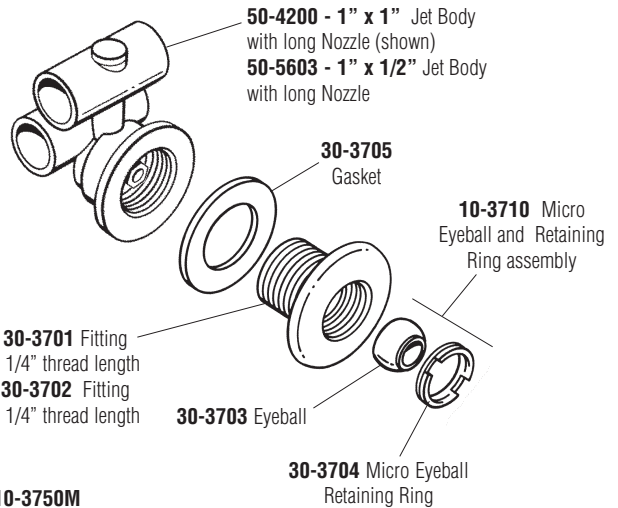
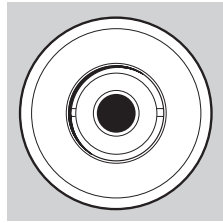
Installation: Requires 7 5/8" flat area.

- Options:**
- 20-1832 32mm O.D. rigid pipe
 - 20-08329 32mm O.D. flexible hose
 - 20-1850 50mm O.D. rigid pipe
 - 20-08509 50mm O.D. flexible hose
 - 20-1001 32mm O.D. plug
 - 20-1015 50mm O.D. plug

Thera'ssage Jet Dimensions



Micro Jet™ Assemblies

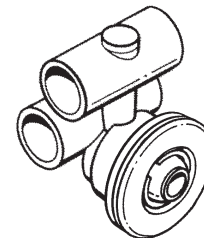


10-3751M Metal Micro Eyeball

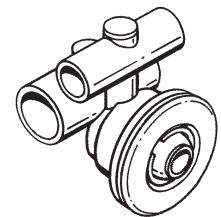
30-913EP70 O-Ring

10-3750M Metal Micro Escutcheon

10-3755M Metal Micro Escutcheon Assembly Option

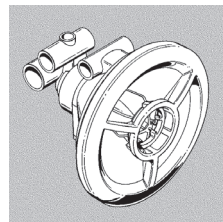


10-5200 - 1" x 1"
includes:
50-4200 Jet Body,
30-3701 Fitting (1 1/4"),
Eyeball & Retaining Ring

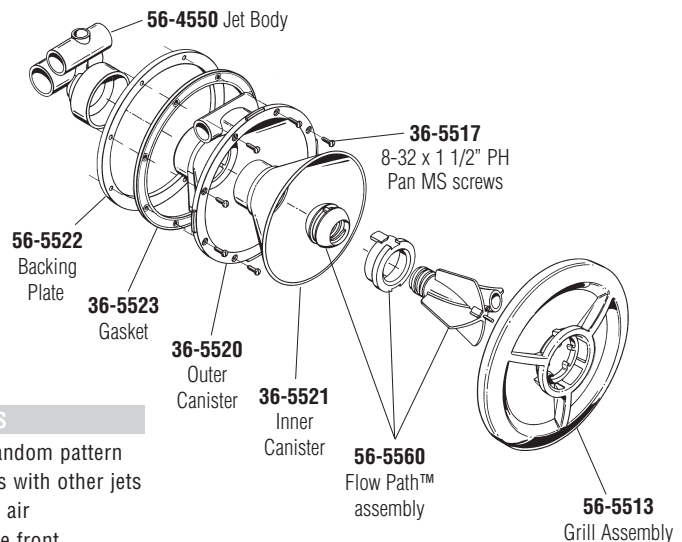


10-5610 - 1" x 1/2"
includes:
50-5603 Jet Body,
30-3701 Fitting (1 1/4"),
Eyeball & Retaining Ring

Thera'ssage™ Jet Assembly



16-5550
Jet Assembly
16-5550
16-5550-36



FEATURES

- Provides a continuous random pattern
- Can be operated in series with other jets
- Operates with or without air
- Fully serviceable from the front