

## Triton II Filter w/ Dial Valve

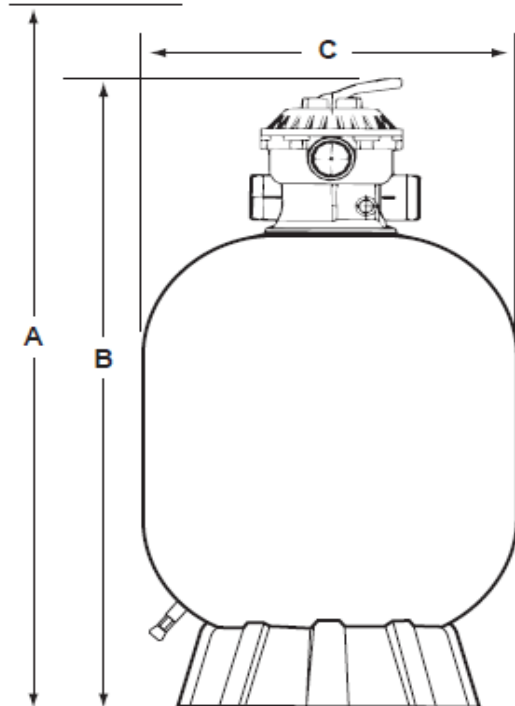


Easy access, Heavy duty closure with built-in pressure valve makes inspection and maintenance fast, safe and easy

One piece reinforced fiberglass tank with UV-resistant surface finish for years of unequaled strength and durability

Six position HiFlow valve provides easy control of all filter functions with a manual air relief valve and sight glass for easy maintenance and service

Clearance to remove valve & internal piping



MODEL	A Dim	B Dim	C Dim
TA 40D	47"	37	19 1/2"
TA 50D	51 1/2"	39 1/2"	21 1/2"
TA 60D	57	42 1/2"	24 1/2"
TA 100D	65 1/2"	47 1/4"	30 1/2"

Model	Filtration Area (Sq. Ft.)	Flow Rate (GPM)	Turnover Capacity (Gallons)		
			8 Hour	10 Hour	12 Hour
TA 40D	1.8	40	19,200	24,000	28,800
TA 50D	2.3	50	24,000	30,000	36,000
TA 60D	3.1	60	28,800	36,000	43,200
TA 100D	4.9	100	48,000	60,000	72,000

**Hydro Ther**

135 MATHESON BLVD. EAST  
MISSISSAUGA, ONTARIO, CANADA  
L4Z 1R2  
TEL: 1-800-891-5811  
FAX: (905) 890-3119